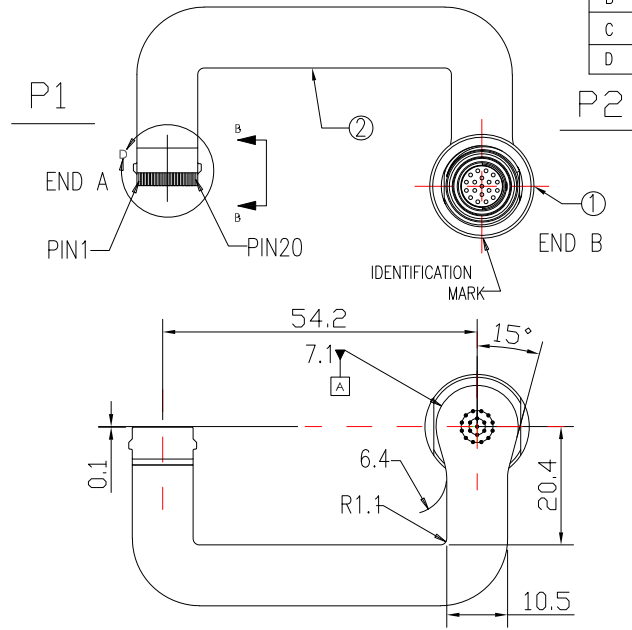
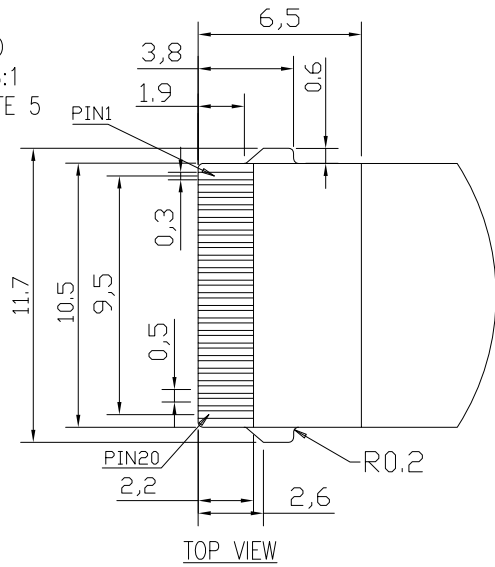
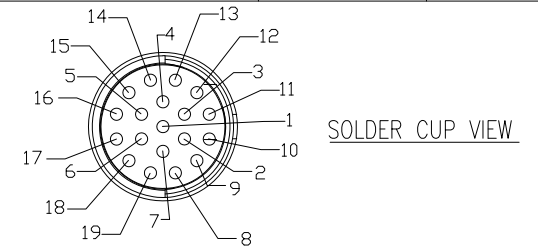


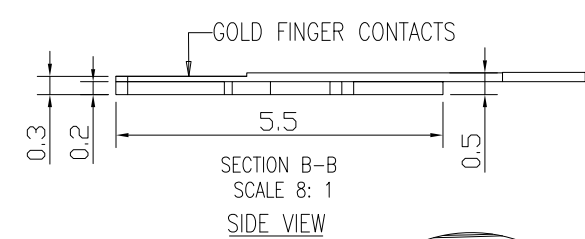
DETAIL D
SCALE 8:1
SEE NOTE 5



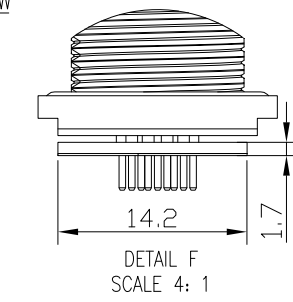
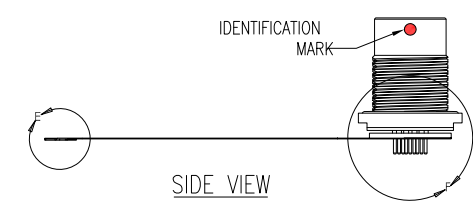
REV	DESCRIPTION	ECN. NO.	APPROVED/DAT
A	NEW RELEASE		LGH 11/19/18'
B	Modify the size		LGH 11/20/18'
c	Cancel the connector		LGH 05/06/19'
d	Custom packaging specification		LGH 10/19/19'



DETAIL G
SCALE 6:1



SECTION B-B
SCALE 8: 1
SIDE VIEW



DETAIL F
SCALE 4: 1

WIRE TABLE

P1 (END A)	CUST. DETAIL	P2 (END B)			
PIN 1,20	GND/SHIELD	PIN 10			
PIN 2	BSCAN_A_X	PIN 11	PIN 11	USB_IO_VBUS (1A)	PIN 1
PIN 3	BSCAN_A_Y	PIN 12	PIN 12*	USB_IO_DN (SHIELD)	PIN 17
PIN 4	IMX6_RS232_TX	PIN 3	PIN 13*	USB_IO_DP (SHIELD)	PIN 6
PIN 5	IMX6_RS232_RTS_DTR	PIN 13	PIN 14	ANALOG_OUT	PIN 18
PIN 6	IMX6_RS232_RX	PIN 4	PIN 15	BSCAN_A_Y	PIN 19
PIN 7	IMX6_RS232_CTS_DSR	PIN 14	PIN 16	BSCAN_B_Y	PIN 7
PIN 8	ALARM1	PIN 15	PIN 17	FOOT_SW_OUT	PIN 8
PIN 9	EXT_TRIG_OUT	PIN 5	PIN 18	FOOT_SW_IN	PIN 2
PIN 10	EXT_TRIG_IN	PIN 16	PIN 19	5V_ALARM (1A)	PIN 9

NOTES:

- THE FINISHED FLEX PRINTED CIRCUIT SHALL MEET APPLICABLE IPC STANDARDS INCLUDING IPC-6013 CLASS 2, LATEST REVISIONS.
- WIRE FLEX CIRCUIT PER PIN OUT: WIRE TABLE
- FLEX CIRCUIT TO BE EMI SHIELDED, SHIELD TO BE CONNECTED TO PINS 1,20 OF END A AND PIN 10 OF END B AS TABLE A SPECIFIES.
- REQUIRED DIFFERENTIAL IMPEDENCE IS 90 OHMS ±10% ON USB 2.0 SIGNAL LINES (PINS 12&13 ON END A)
- END A TO MATE WITH ITEM 2. ALL DIMENSIONS REGARDING END A ON THIS DRAWING TAKEN FROM ITEM 2 MFG SPECIFICATIONS AND PROVIDED FOR REFERENCE ONLY. REFER TO MFG SPECIFICATIONS FOR FURTHER DETAILS. SPECIFICATIONS. REFER TO HIROSE SPECIFICATIONS FOR FURTHER DETAILS
- THICKNESS OF FLEXIBLE CIRCUIT BETWEEN END A AND END B TO BE DETERMINED BY MANUFACTURER. THICKNESS IS DFPNDFNT ON FND A INTERFAC RQUIREMENTS AND LAYER NEEDS INCLUDING GROUNDING AND SHIELDING, MANUFACTURER TO SUBMIT A LAYER DETAIL COMPLETE WITH THICKNESS TO OLYMPUS FOR APPROVAL PRIOR TO FABRICATION
- THIS PART AND ANY RELATED SUB-COMPONENT AND ITS FABRICATION AND ASSEMBLY PROCESS MUST BE ROHS COMPLIANT.

RoHS Compliant



2	PCB Flexible	1PC		FLEX CIRCUIT PALPILOT P/N: 10767.001A	
1	CONNECTOR	1PC		F SERIES, 19 PIN PANEL MOUNT RECEPTACLE BIX P/N: PAL.ZKAF1C-P19QC00-0001	
ITEM	PART NAME	Q'TY	PART NO:	DESCRIPTION	
A) GENERAL TOLERANCE			ANGLE TOLERANCE	NAME (INTENDED USE)	
X.	±1.00		X.°	±3.0°	MANUFACTURE DRAWING
.X	±0.50		.X°	±1.0°	CUSTOMER P/N:
.XX	±0.20		.XX°	±0.5°	70.A003.OLYM.R019BIX REV C
XXX	±0.15				
MAJOR(QC CHECKED)				APPROVED: DATF	TITLE:
▼ = places				LGZ 10/19/19'	19 PIN PANEL MOUNT RECEPTACLE, TO HIROSH CONNECTOR, FLEX CIRCUIT
			UNIT mm	CHECKED: DATE	SERIES:
SHEET 1 OF 2				DESIGN: LGH	DATE 10/19/19'
					PART NO: MED-MD-001-028
					REV. D

PALCONN